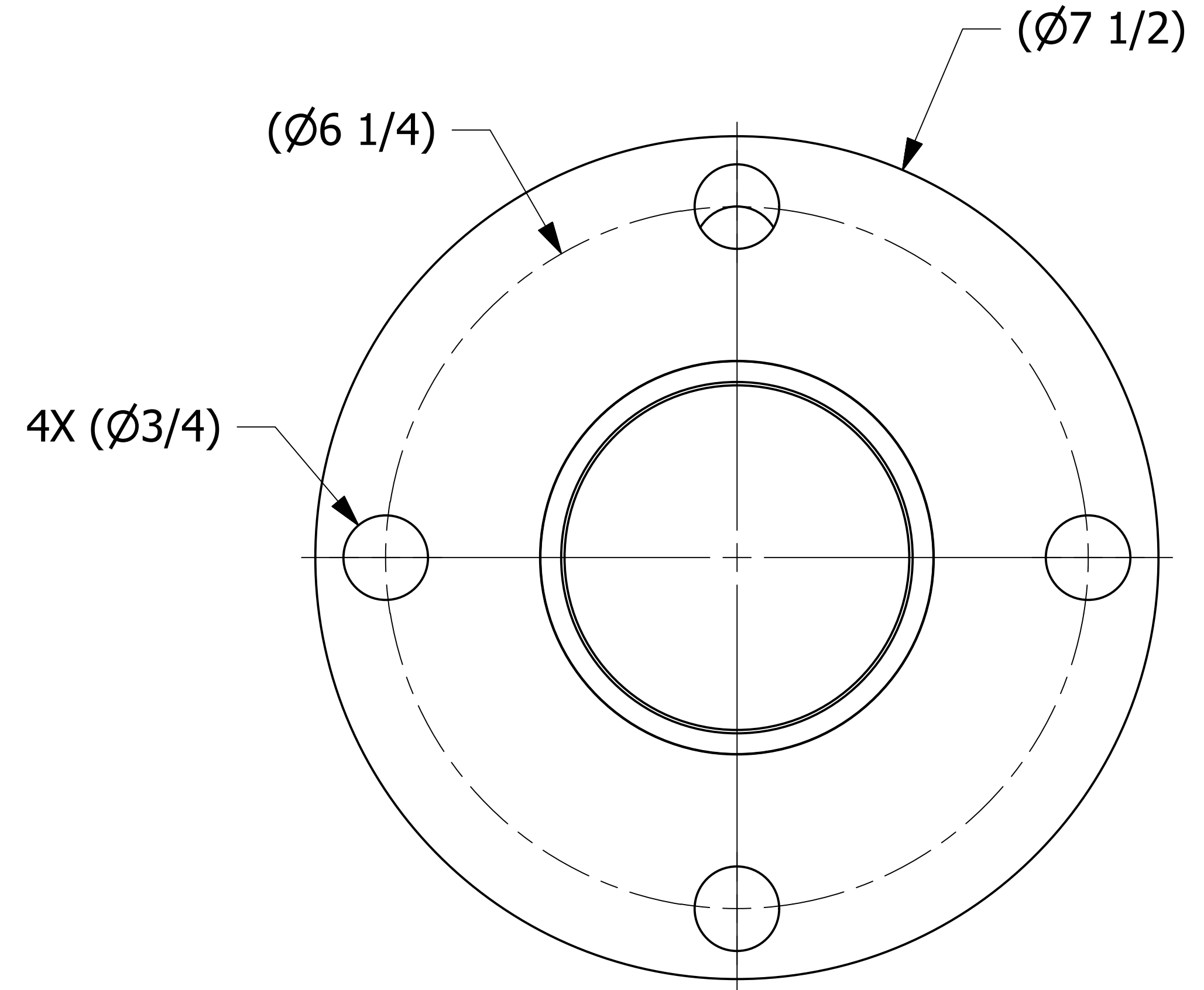
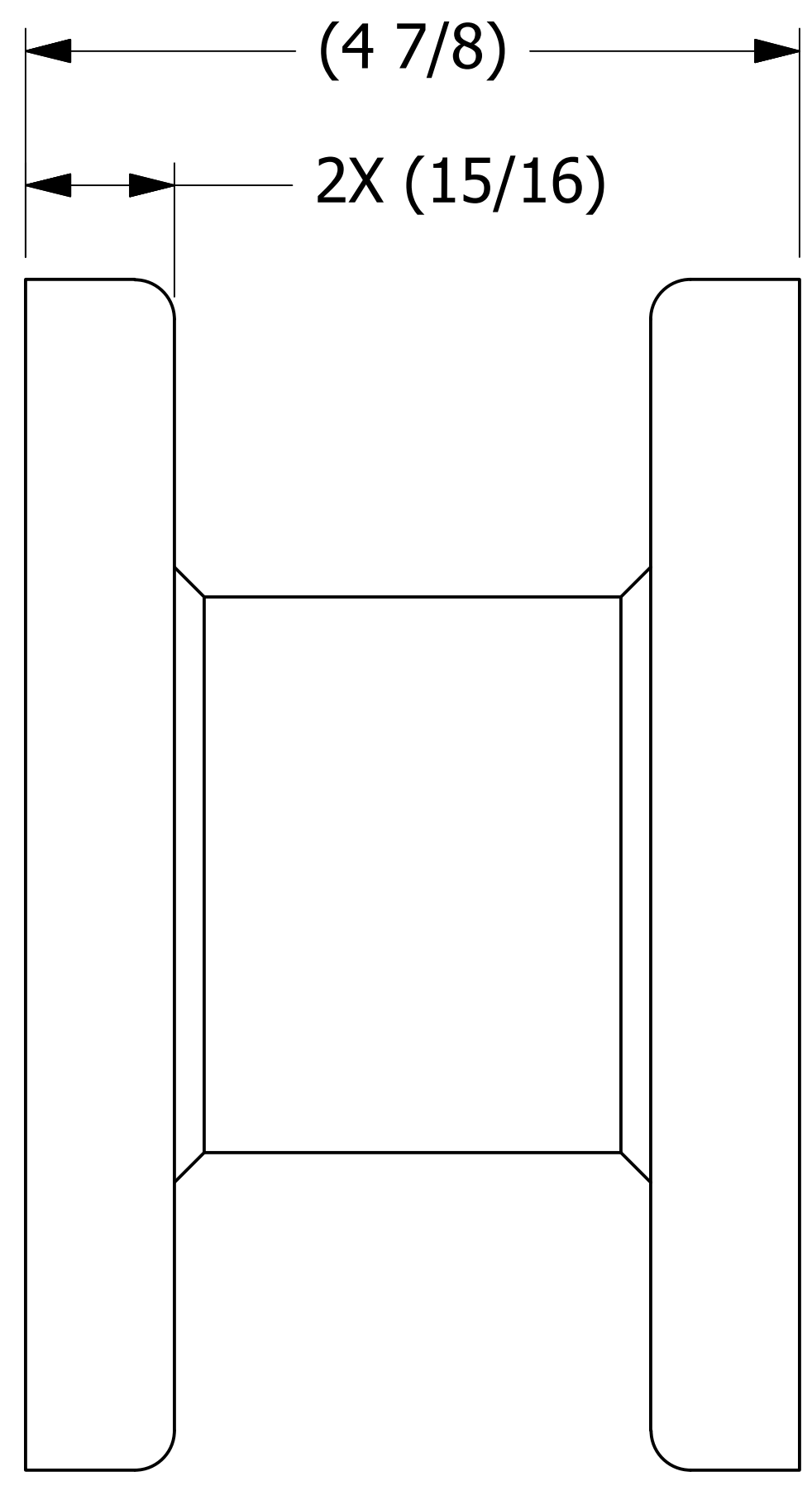
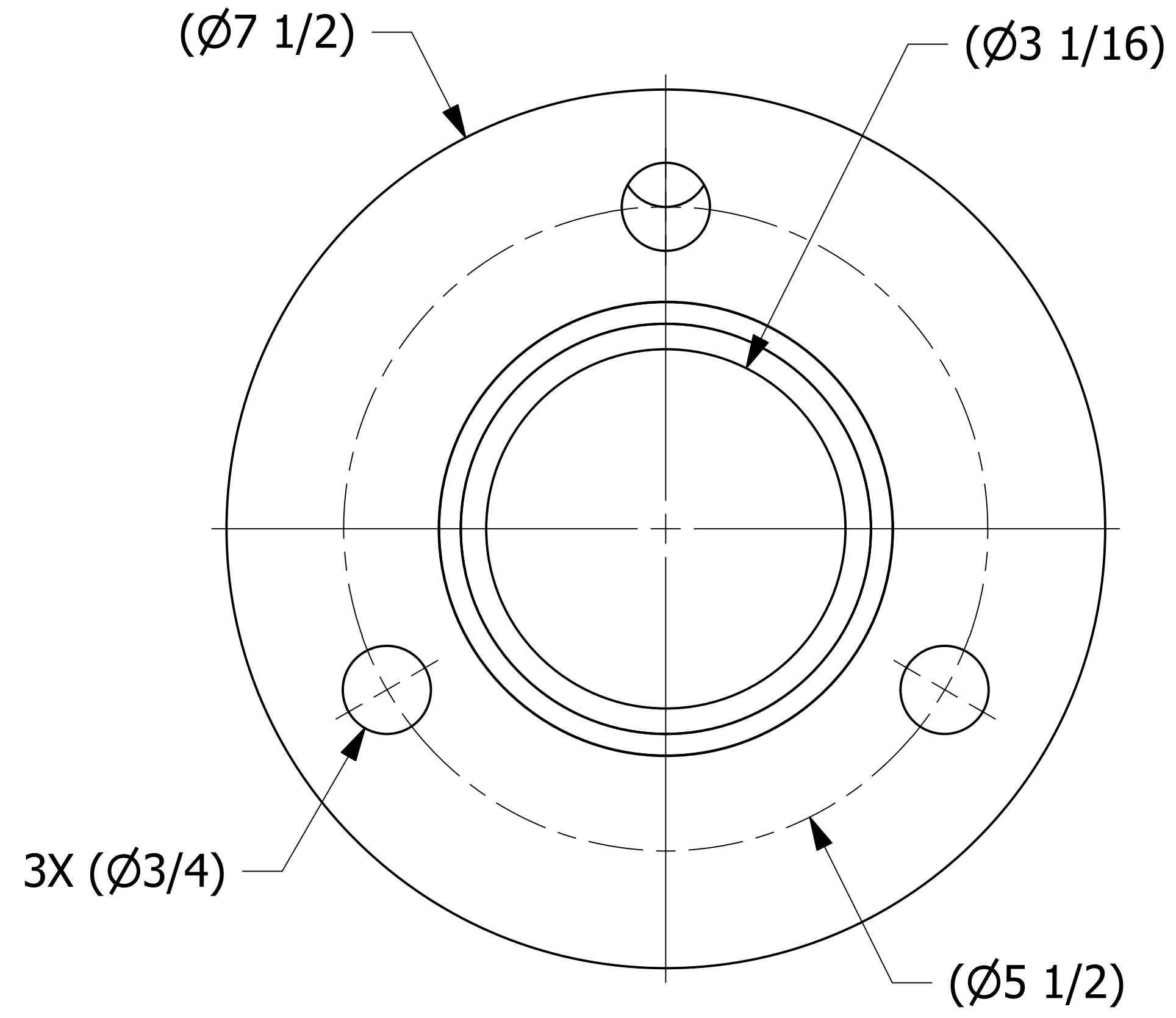


SALES DRAWING SALES DRAWING SALES DRAWING SALES DRAWING SALES DRAWING

SALES DRAWING SALES DRAWING SALES DRAWING SALES DRAWING SALES DRAWING



UNLESS OTHERWISE SPECIFIED DIMENSIONAL TOLERANCES FRACTIONAL: ±1/16 X.XX: ±.03 X.XXX: ±.015 ANGULAR: ±1° DEBURR ALL SHARP EDGES. ALL MACHINED SURFACES TO HAVE A 125 RMS FINISH UNLESS NOTED OTHERWISE. THIRD ANGLE PROJECTION	DRAWN BY:	CLH
	CHECKED BY:	AVD
	PROTOTYPE DATE:	2/10/1998
	APPROVED FOR PRODUCTION BY:	AVD
	PRODUCTION DATE:	2/10/1998
SIZE:	D	
DRAWING #:	8761	

J	CHL	6/18/20	202006181130	CHL
REV	BY	DATE	REF #	PUB
PART NAME: QUICK INSPECT ADAPTER FLANGE				
MATERIAL: 316L SS				
PROJECT #: 970225			SHEET #: 1 OF 1	SCALE: 1 : 1
PART #: QI625F				